

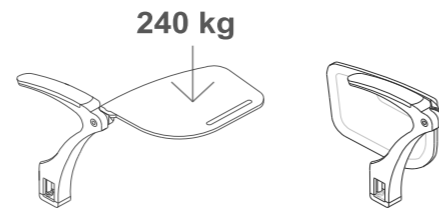
WRIMATIC TABLE

GENERAL DESCRIPTION

In 1996, Ferco developed the Wrimatic™ lectern in response to the need for a large, sturdy and reliable writing desk.

Designed by an aeronautical engineer, Wrimatic™ is the only folding writing lectern tested to withstand a load of 240 kg. Its fastening and folding mechanism is based on a triangular “prismoid” swivel joint, made of stainless steel. The rest of the elements that make up its support are made of cast aluminum. The folding is performed manually in a smooth and continuous movement. The support surface is made of ABS and has a thickness of 10 mm. This material is highly resistant to impact, heat and scratches.

Wrimatic provides the user with a large work surface of 300 x 425 mm that allows the use of laptops and tablets in a very comfortable way. It is suitable for both right and left-handed use.



USES AND APPLICATIONS

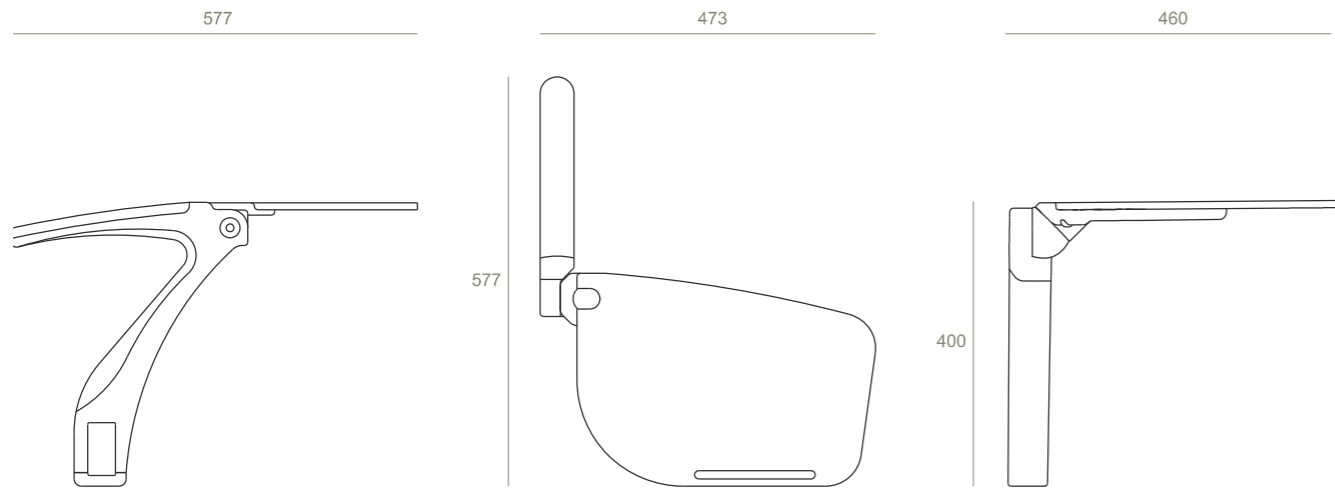
Due to its design, it can be installed with the ARC series chairs in its different versions, as well as with the FT10 model chair, being able to be installed with different widths between axes adaptable to each project and its needs.

It can also be installed individually and independently of the seats, for use by people with disabilities, mounted on vertical supports fixed to the pavement.



Puerto Rico University - Puerto Rico

Wrimatic



Wrimatic Lite

