

ferreo

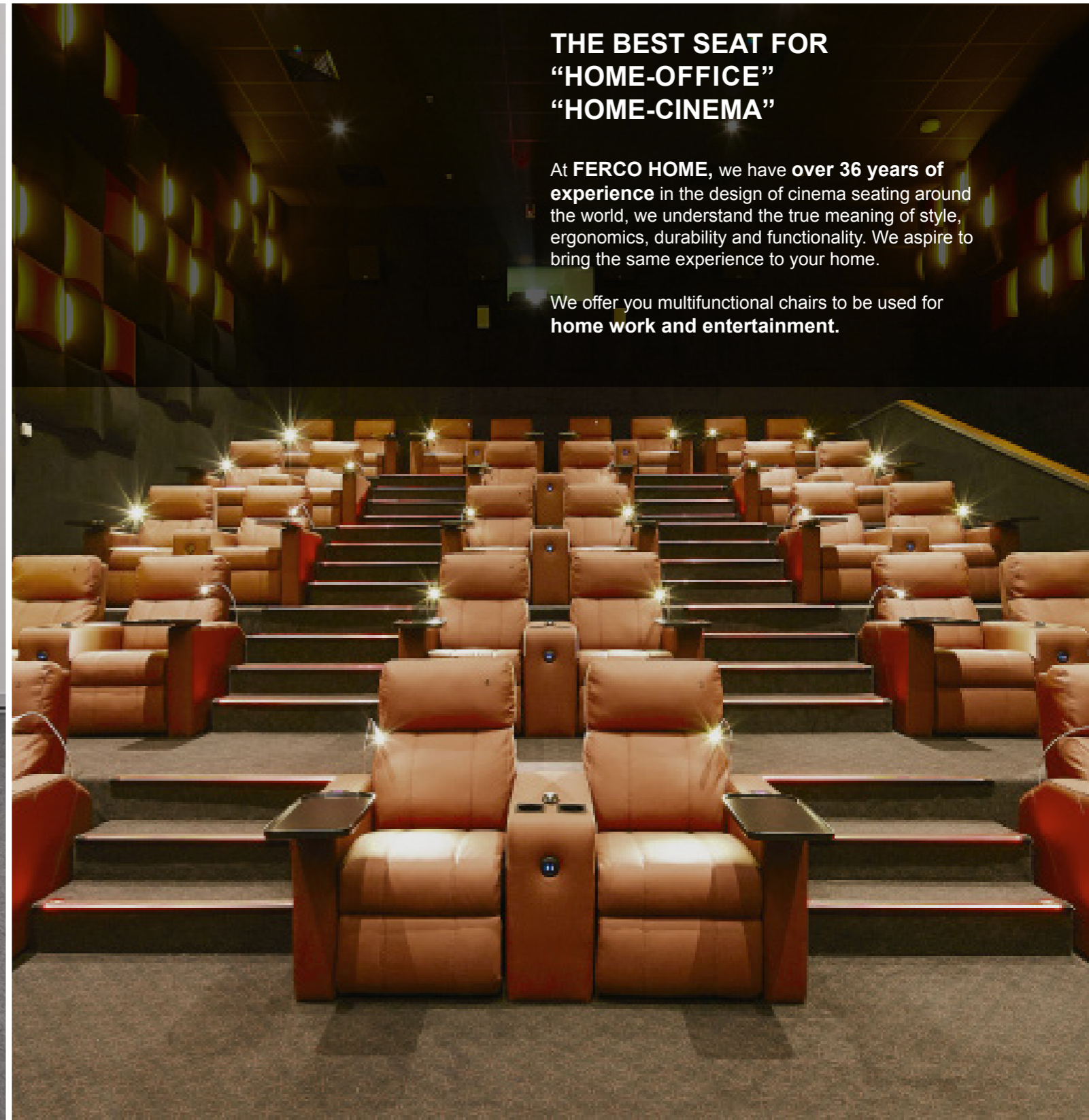
HOMME



**THE BEST SEAT FOR
“HOME-OFFICE”
“HOME-CINEMA”**

At **FERCO HOME**, we have **over 36 years of experience** in the design of cinema seating around the world, we understand the true meaning of style, ergonomics, durability and functionality. We aspire to bring the same experience to your home.

We offer you multifunctional chairs to be used for **home work and entertainment**.







GLIDE SERIES



OPUS *Glide*

GENERAL DESCRIPTION

Inspired by Scandinavian design, the Opus Glide will blend perfectly into your home.

With an ergonomic design and extra soft upholstery, the Opus Glide generates a feeling of weightlessness that guarantees maximum comfort.

The Glide system incorporated in this armchair allows you to move the backrest into a reclining position in an instinctive and natural movement that does not require motorisation. When you get out of the chair, the backrest returns to its initial position automatically.

This model incorporates a swivel table with a 28 x 47 cm support surface that allows you to work comfortably with 15" laptops (38 cm), as well as a cup holder so you can hold your coffee cups or glasses. Its swivel foot optimises space and makes it easy to clean.

This product has been specially designed for working at home, but its ergonomics and functionality will allow you to enjoy your favourite series with the same comfort you would have in a cinema.

PRODUCT DETAILS

Seat configuration : Individual.

4 colours available for the armchair fully upholstered in "faux leather" (Beige, Black, Brown and Orange), made of PVC and PU, UV resistant, easy to clean, does not stain). (Finishes page 18).

4 combinations available for the armchair upholstered in "faux leather" and 100% polyester fabric. (Finishes page 18).

2 bases available: circular metal base, matt polished chrome finish or 4-foot chandelier base finished in matt anthracite epoxy powder coating. Both bases incorporate floor support plugs.

WEIGHT AND DIMENSIONS

Total product weight : 42 kg.

Sliding depth : 320mm.

SPECIFICATION / CHARACTERISTICS

Sliding seat and backrest composed of a structure made of Ø19mm steel tube on which rests a high resilience cold moulded polyurethane foam cushion, finished with a cover made of synthetic leather or 100% polyester fabric.

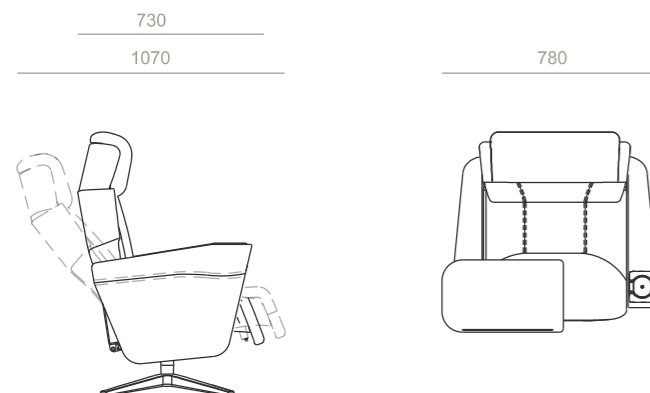
Highly durable non-motorised sliding mechanism.

Side panels made of tubular and hollow section steel sheet in different sizes, covered with high resilience cold moulded polyurethane foam, finished with a cover made of synthetic leather or 100% polyester fabric.

All visible metal components shall be finished with black epoxy powder coating.

Seat and backrest padding material: Combination of polyurethane foams of different densities to provide maximum comfort.

Removable upholstered cover.



MILANO *Glide*

GENERAL DESCRIPTION

The Milano Glide is a very popular cinema chair that stands out for its ergonomic design, which allows its adaptation and use as an armchair to be used at home, either to work or to enjoy your leisure time.

The Glide system incorporated in this chair allows you to move the backrest to a reclining position in an instinctive and natural movement, which does not require motorisation. When you get up from the chair, the backrest returns to its initial position automatically.

This model incorporates a swivel table with a 28 x 47 cm support surface that allows you to work comfortably with 15" laptops (38 cm), as well as a cup holder so you can hold your coffee cups or glasses. Its swivel foot optimises space and makes it easy to clean.

This product has been specially designed to work at home, but its ergonomics and functionality will allow you to enjoy your favourite series with the same comfort you would have in a cinema.

PRODUCT DETAILS

Seat configuration : Individual.

4 colours available for the armchair fully upholstered in "faux leather" (Beige, Black, Brown and Orange), made of PVC and PU, UV resistant, easy to clean, does not stain). (Finishes page 18).

4 combinations available for the armchair upholstered in "faux leather" and 100% polyester fabric. (Finishes page 18).

2 bases available: circular metal base, matt polished chrome finish or 4-foot chandelier base finished in matt anthracite epoxy powder coating. Both bases incorporate floor support plugs.

WEIGHT AND DIMENSIONS

Total product weight : 39 kg

Sliding depth : 320mm

SPECIFICATION / CHARACTERISTICS

Sliding seat and backrest composed of a structure made of Ø19mm steel tube on which rests a high resilience cold moulded polyurethane foam cushion, finished with a cover made of synthetic leather or 100% polyester fabric.

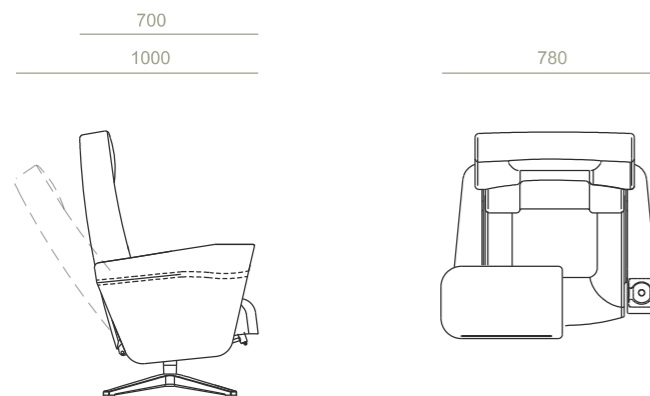
Highly durable non-motorised sliding mechanism.

Side panels made of tubular and hollow section steel sheet in different sizes, covered with high resilience cold moulded polyurethane foam, finished with a cover made of synthetic leather or 100% polyester fabric.

All visible metal components shall be finished with black epoxy powder coating.

Seat and backrest padding material: Combination of polyurethane foams of different densities to provide maximum comfort.

Removable upholstered cover.



REX *Glide*

GENERAL DESCRIPTION

Rex Glide is an armchair with smooth lines and ergonomic design that fits perfectly into any environment. Although it has been designed so that you can work in it, its design means that it does not become an obstacle, and it integrates perfectly into any space in your home.

The Glide system incorporated in this armchair allows you to move the backrest to a reclining position in an instinctive and natural movement that does not require motorisation. When you get up from the chair, the backrest returns to its initial position automatically.

This model incorporates a swivel table with a 28 x 47 cm support surface that allows you to work comfortably with 15" laptops (38 cm), as well as a cup holder so you can hold your coffee cups or glasses. Its swivel foot optimises space and makes it easy to clean.

This product has been specially designed to work at home, but its ergonomics and functionality will allow you to enjoy your favourite series with the same comfort you would have in a cinema.

PRODUCT DETAILS

Seat configuration : Individual.

4 colours available for the armchair fully upholstered in "faux leather" (Beige, Black, Brown and Orange), made of PVC and PU, UV resistant, easy to clean, does not stain). (Finishes page 18).

4 combinations available for the armchair upholstered in "faux leather" and 100% polyester fabric. (Finishes page 18).

2 bases available: circular metal base, matt polished chrome finish or 4-foot chandelier base finished in matt anthracite epoxy powder coating. Both bases incorporate floor support plugs.

WEIGHT AND DIMENSIONS

Total product weight : 40 kg

Sliding depth : 200mm

SPECIFICATION / CHARACTERISTICS

Sliding seat and backrest composed of a structure made of Ø19mm steel tube on which rests a high resilience cold moulded polyurethane foam cushion, finished with a cover made of synthetic leather or 100% polyester fabric.

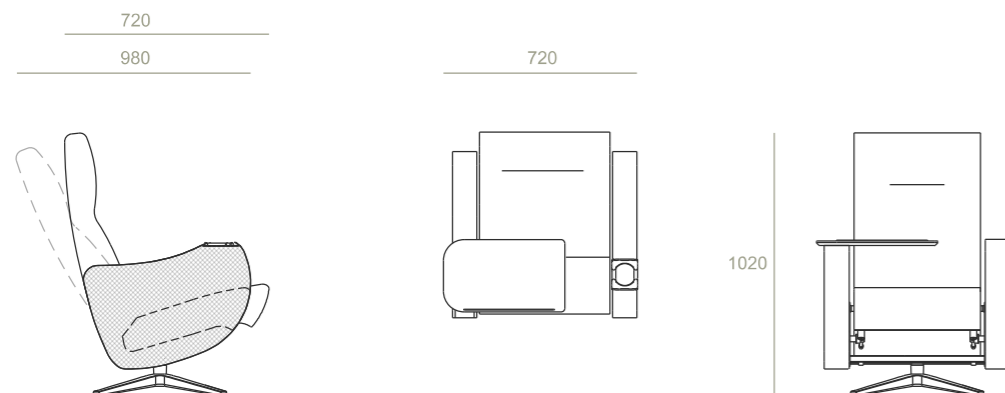
Highly durable non-motorised sliding mechanism.

Side panels made of tubular and hollow section steel sheet in different sizes, covered with high resilience cold moulded polyurethane foam, finished with a cover made of synthetic leather or 100% polyester fabric.

All visible metal components shall be finished with black epoxy powder coating.

Seat and backrest padding material: Combination of polyurethane foams of different densities to provide maximum comfort.

Removable upholstered cover.



OTTOMAN 2

GENERAL DESCRIPTION

The Ottoman 2 footrest has been designed as a complement to increase comfort in the use of the armchairs at home, allowing a correct and comfortable support for the feet in any use.

This piece combines perfectly with all the models in the Glide collection by Ferco Home, especially with the curved shapes of the Opus Glide.

Its manufacture uses a combination of polyurethane foams of different densities, with a soft finish on the upper part, which generates a sensation of weightlessness in the support of the legs and feet, guaranteeing maximum comfort.

It is a very good option to complement rest areas, whether in bedrooms or living rooms, as an individual complement or as a complement to one of the Ferco Home armchairs.

PRODUCT DETAILS

4 colours available, fully upholstered in "faux leather" (Beige, Black, Brown and Orange), made of PVC and PU, UV resistant, easy to clean, non-staining.) (Finishes page 18).

2 combinations available, upholstered in "faux leather" and 100% polyester fabric. (Finishes page 18).

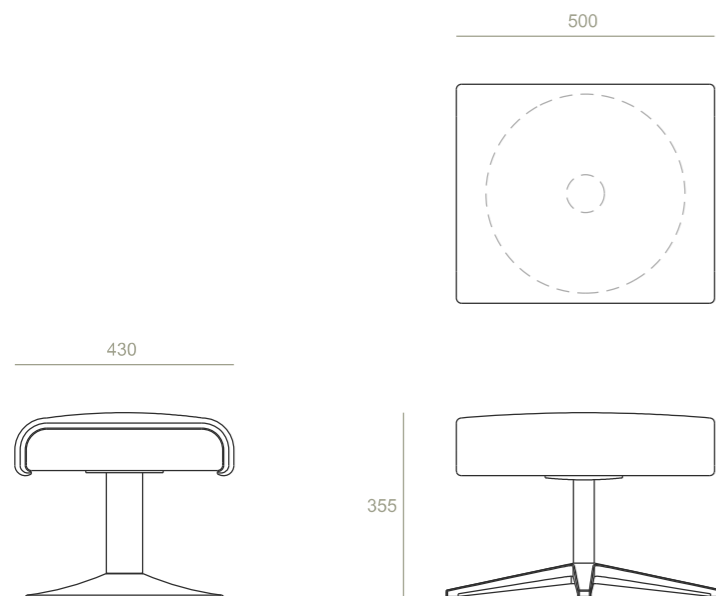
2 bases available: circular metal base, matt polished chrome finish or 4-foot chandelier base finished in matt anthracite epoxy powder coating. Both bases incorporate floor support plugs.

DIMENSIONS

Length: 43cm
Width: 50cm
Height: 36.5cm

SPECIFICATION / FEATURES

Seat and back padding material: Combination of soft and moulded foam.



DWELL IMPACT *Dwell + Ottoman 3*

GENERAL DESCRIPTION

Designed by Shahril Faisal, the Dwell armchair, together with the Ottoman 3 model, form the Dwell Impact model.

A set designed to provide a high level of comfort and performance whether you are relaxing or working at home.

With an informal and welcoming design, the combination of armchair and footrest makes it an ideal product for different spaces in our home, including the bedroom. And all this without sacrificing high levels of ergonomics and comfort in its use.

As a complement, it allows the incorporation of a swivel table, which can be tilted up to an angle of 15°, allowing you to work comfortably with laptops, tablets and other mobile devices, for which it has a lower stop and an upper stop that prevents them from sliding down.

The seat and backrest of the Dwell Impact model are removable, facilitating cleaning.

PRODUCT DETAILS

Designer: Shahril Faisal.

4 combinations available for the upholstered set in "faux leather" and 100% polyester fabric. (Finishes page 18).

DIMENSIONS

DWELL

Length: 77cm
Width: 72cm
Height: 64cm

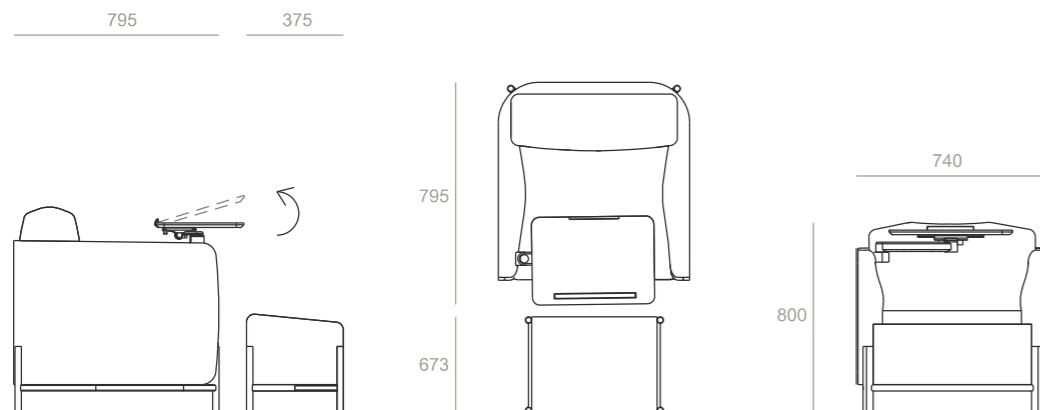
OTTOMAN 3

Length: 43cm
Width: 37cm

SPECIFICATION / CHARACTERISTICS

Support structure made of circular section tube, finished with black epoxy powder coating. The 4 legs incorporate support blocks to prevent noise and damage to the floor on which it is placed.

Padding material: Combination of polyurethane foams of different densities to provide maximum comfort.



RECLINER SERIES



OPUS Recliner

GENERAL DESCRIPTION

The Recliner series has been designed to increase the performance of conventional armchairs and lounge chairs. It is not just a simple armchair, but rather a backbone element that takes centre stage in any space, thanks to its design and functionality.

The Opus Recliner model is the first in the series of recliners. Inspired in Scandinavian design like the Glide model.

With an ergonomic design and extra soft padding, the Opus Recliner model features extra padding, which reinforces its ergonomic design, guaranteeing correct back support and a high level of comfort, whatever the use.

The system of reclining the backrest and unfolding the footrest is carried out by means of a motor, in a smooth and silent movement of both elements at the same time, operated from the control button that also incorporates a USB charging port, so you can charge your laptop, tablet or mobile phone.

The design of the mechanisms prevents fingers from getting trapped when sliding the backrest or folding and unfolding the footrest.

Among the complements that this armchair can incorporate, it includes a swivel table with a 28 x 47 cm. support surface that allows you to work comfortably with 15" laptops (38 cm.), as well as a cup holder integrated in the armrest of the armchair.

PRODUCT DETAILS

Seat configuration: Individual.

4 colours available for the armchair fully upholstered in "faux leather" (Beige, Black, Brown and Orange), made of PVC and PU, UV resistant, easy to clean, non-staining). (Finishes page 18).

4 colours available for the fully upholstered armchair in 100% polyester fabric (Khaki, Black, Brown and Lemon). (Finishes page 18).

WEIGHT AND DIMENSIONS

Total product weight : 75 kg

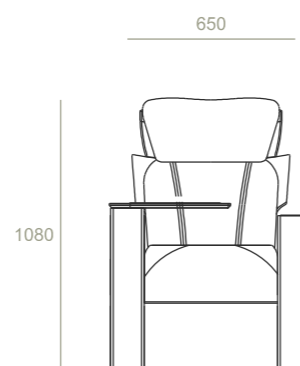
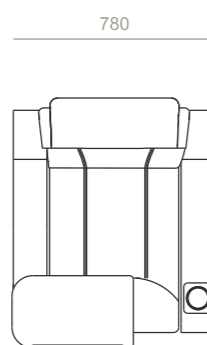
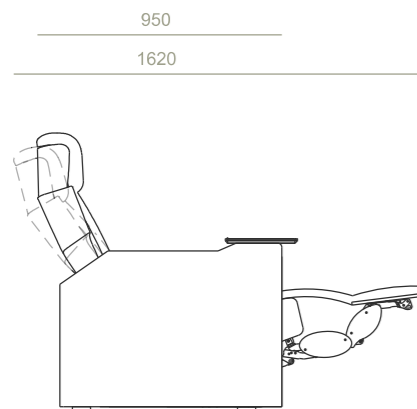
Fully reclined : 1630mm

SPECIFICATION / FEATURES

Inner structure made of a combination of wood and steel. Backrest made of a Ø19 mm steel tube structure, on which is placed a HR polyurethane foam and polyester cushion.

Backrest and headrest made of polyurethane foam finished with a cover made of synthetic leather or 100% polyester fabric. Seat made of 18 mm. plywood board and 120 mm. thick HR polyurethane foam cushion with integrated springs and the same finish as the backrest.

Side feet made of wood with built-in coasters, finished with a cover made of synthetic leather or 100% polyester fabric.



OPUS Recliner



MILANO Recliner

GENERAL DESCRIPTION

The Recliner series has been designed to increase the performance of conventional armchairs and lounge chairs. It is not just a simple armchair, but rather a backbone element that takes centre stage in any space, thanks to its design and functionality.

The Milano Recliner is the second of the armchairs in the series. Compared to the Opus model, Milano has a more serious and formal look, with clear and clean lines. A good option for spaces in which modern and classic pieces are combined.

The system of reclining the backrest and unfolding the footrest is carried out by means of a motor, in a smooth and silent movement of both elements at the same time, operated from the control button that also incorporates a USB charging port, so you can charge your laptop, tablet or mobile phone.

The design of the mechanisms prevents fingers from getting trapped when sliding the backrest or folding and unfolding the footrest.

Among the complements that this armchair can incorporate, it includes a swivel table with a 28 x 47 cm. support surface that allows you to work comfortably with 15" laptops (38 cm.), as well as a cup holder integrated in the armrest of the armchair.

PRODUCT DETAILS

Seat configuration: Individual.

4 colours available for the armchair fully upholstered in "faux leather" (Beige, Black, Brown and Orange), made of PVC and PU, UV resistant, easy to clean, non-staining). (Finishes page 18).

4 colours available for the fully upholstered armchair in 100% polyester fabric (Khaki, Black, Brown and Lemon). (Finishes page 18).

WEIGHT AND DIMENSIONS

Total product weight : 75 kg

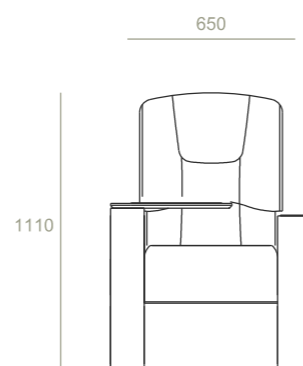
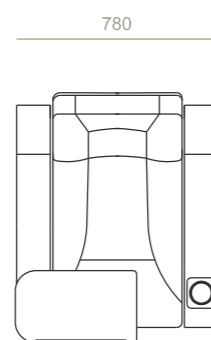
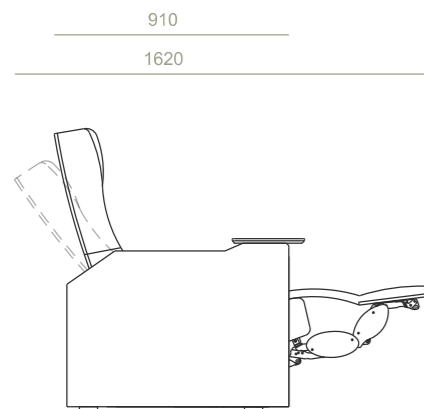
Fully reclined : 1620mm

SPECIFICATION / FEATURES

Inner structure made of a combination of wood and steel. Backrest made of a Ø19 mm steel tube structure, on which is placed a HR polyurethane foam and polyester cushion.

Set finished with a cover made of synthetic leather or 100% polyester fabric. Seat made of 18 mm. plywood board and 120 mm. thick HR polyurethane foam cushion with integrated springs and the same finish as the backrest.

Side feet made of wood with built-in coasters, finished with a cover made of synthetic leather or 100% polyester fabric.



MILANO Recliner



VERONA Individual/ Twin Recliner

GENERAL DESCRIPTION

The first recliner model that Ferco adapted with the “home-office” concept in mind, the Verona recliner offers the best combination of comfort and functionality, featuring a super-cushioned backrest.

The system of reclining the backrest and unfolding the footrest is carried out by means of a motor, in a smooth and silent movement of both elements at the same time, operated from the control button that also incorporates a USB charging port, so you can charge your laptop, tablet or mobile phone. These mechanisms are doubled when it comes to the double model.

The design of the mechanisms prevents fingers from getting trapped when sliding the backrest or folding and unfolding the footrest.

Among the complements that can be incorporated into this armchair, there is a swivel table with a 28 x 47 cm. support surface that allows you to work comfortably with 15” laptops (38 cm.), as well as a cup holder integrated into the armrest of the armchair.

The Verona Recliner can be used as a lounge chair, home-cinema chair or home office chair. A very versatile model that fits in different environments thanks to its modern design.

PRODUCT DETAILS

Seat configuration: Single or Double.

4 colours available for the armchair fully upholstered in “faux leather” (Beige, Black, Brown and Orange), made of PVC and PU, UV resistant, easy to clean, non-staining). (Finishes page 18).

4 colours available for the fully upholstered armchair in 100% polyester fabric (Khaki, Black, Brown and Lemon). (Finishes page 18).

WEIGHT AND DIMENSIONS

Total weight of the product : 75 kg (single) / 128 kg (double)

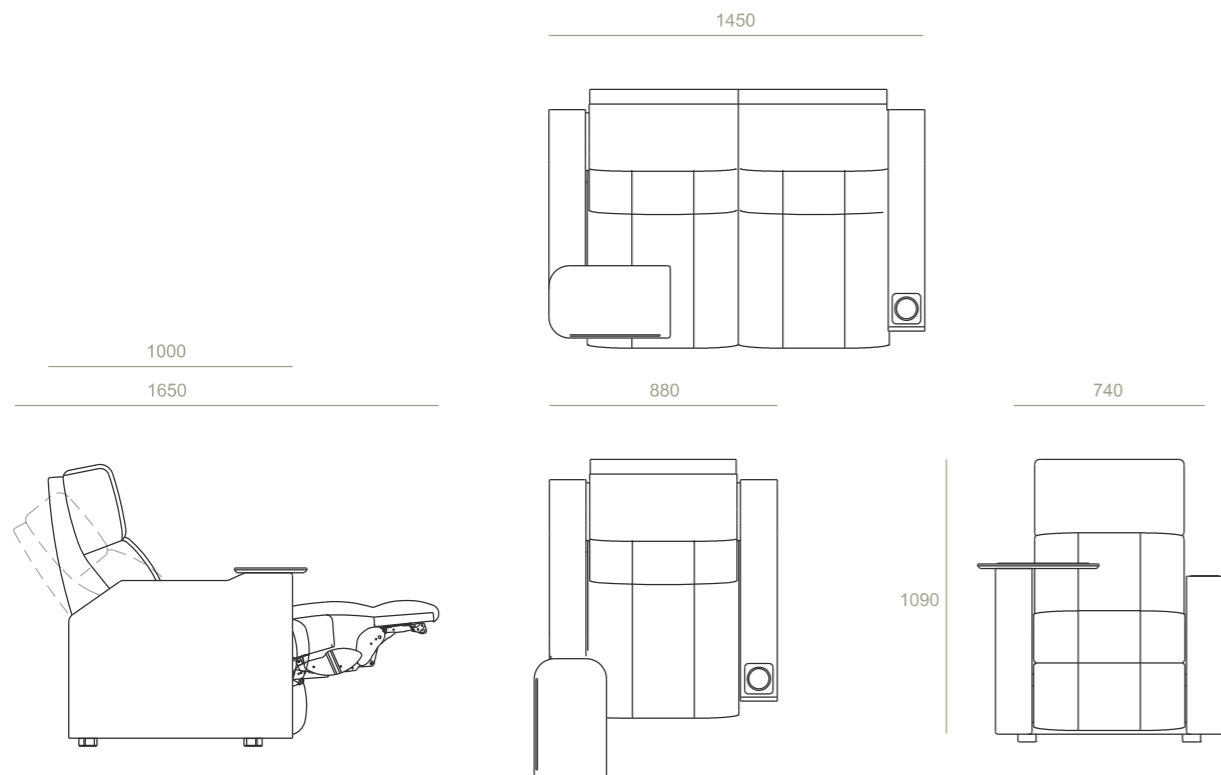
Fully reclined : 1650mm

SPECIFICATION / FEATURES

Inner structure made of a combination of wood and steel. Backrest made of a Ø19 mm steel tube structure, on which is placed a HR polyurethane and polyester foam mattress.

Set finished with a cover made of synthetic leather or 100% polyester fabric. Seat made of 18 mm. plywood board and 120 mm. thick HR polyurethane foam cushion with integrated springs and the same finish as the backrest.

Side feet made of wood with built-in coasters, finished with a cover made of synthetic leather or 100% polyester fabric.



VERONA *Twin Recliner*



ACCESSORIES



FINISHING OPTIONS

Glide Series



Faux leather



Faux leather and 100% polyester fabric

Recliner Series



Faux leather



100% polyester fabric

Ottoman



Ottoman 1 - Faux leather



Ottoman 1 - 100% polyester fabric



Ottoman 2 - Faux leather



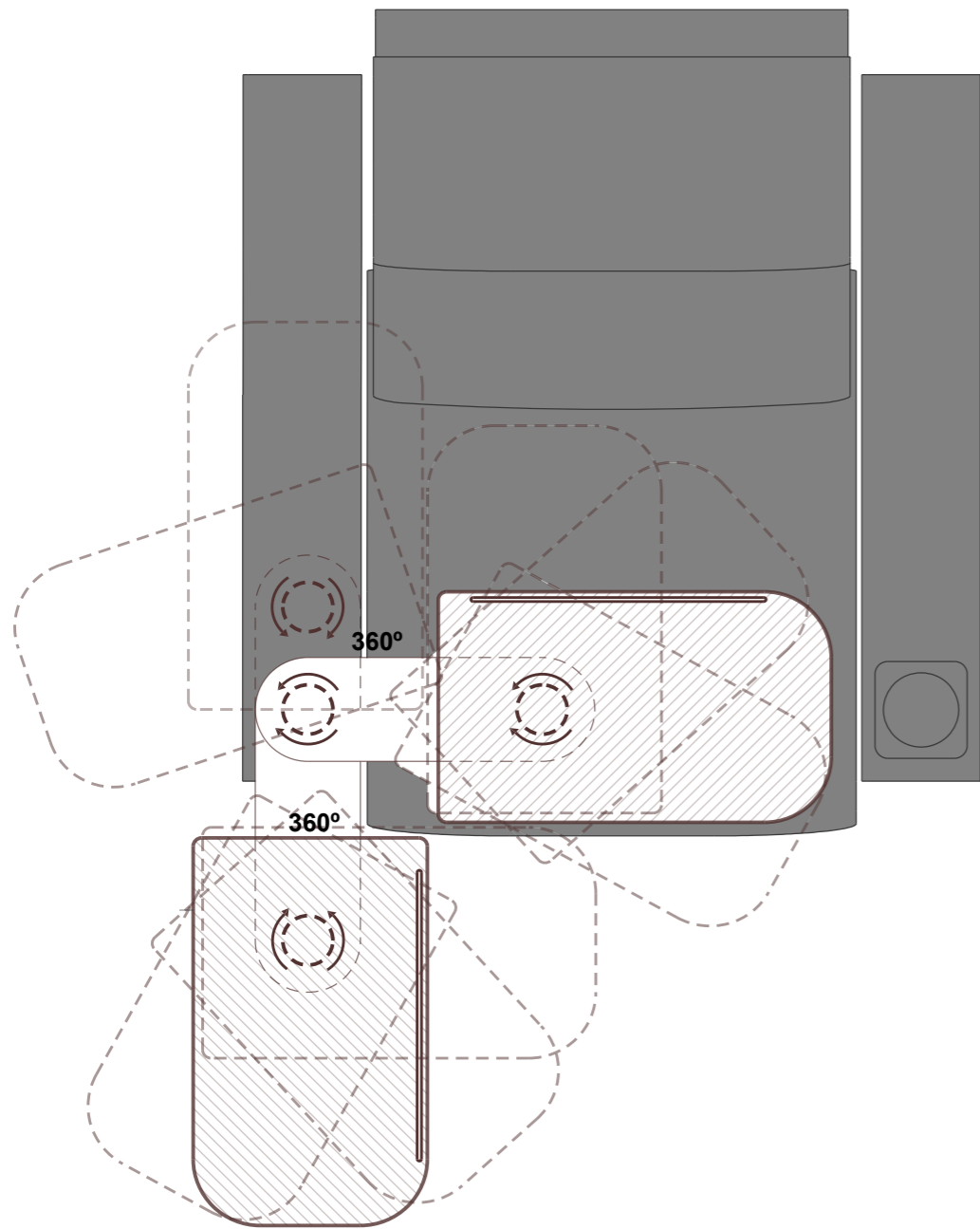
Ottoman 2 - Faux leather and 100% polyester fabric

Dwell Impact (Dwell + Ottoman 3)

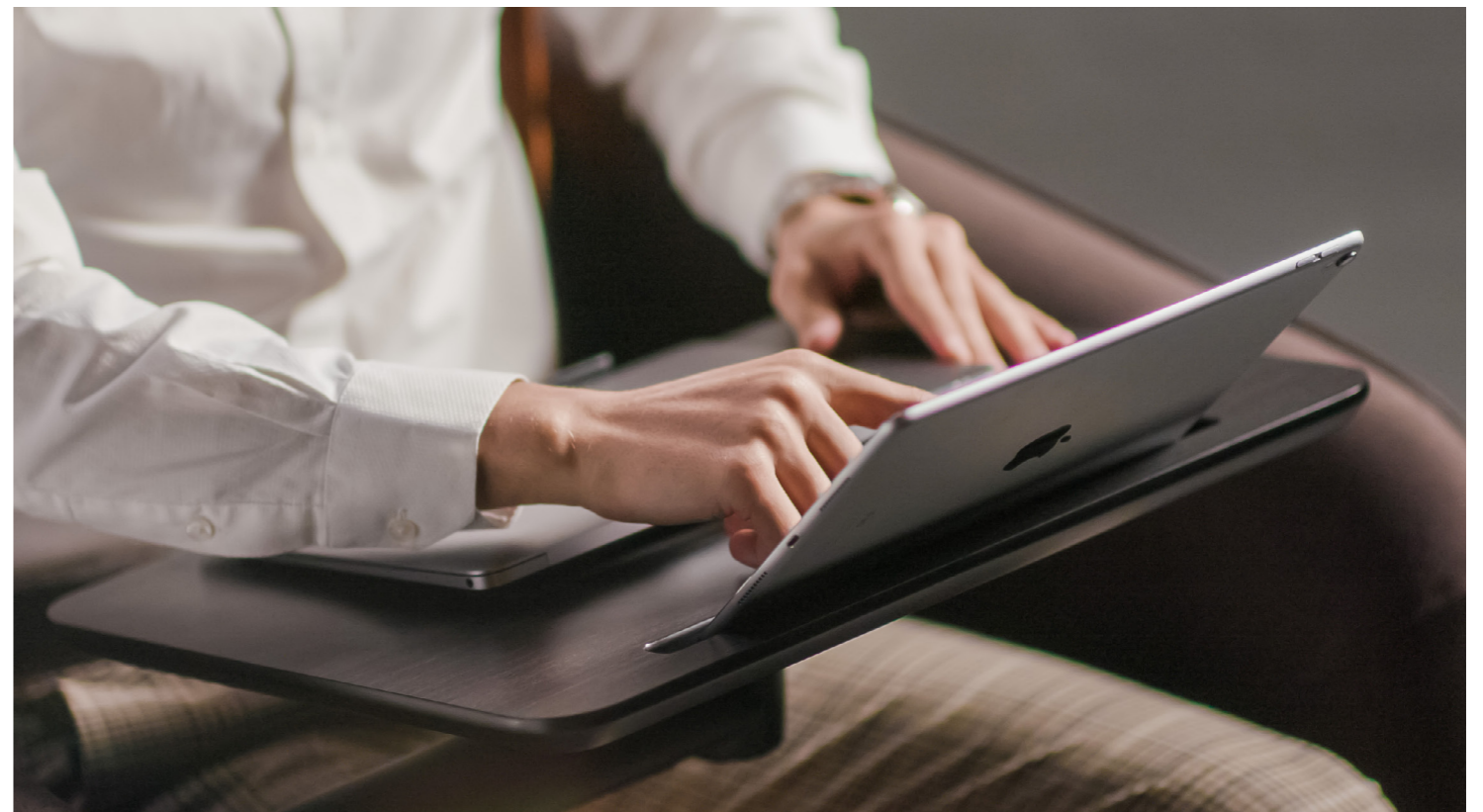
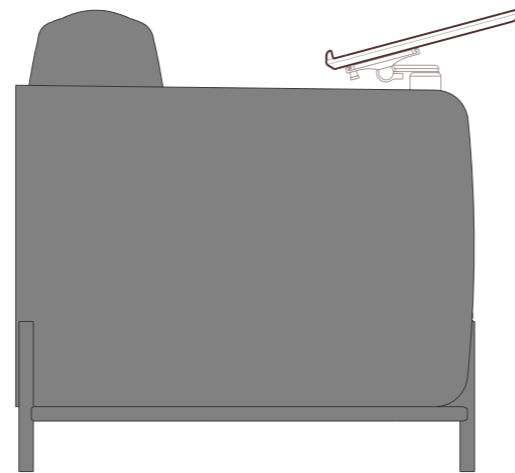
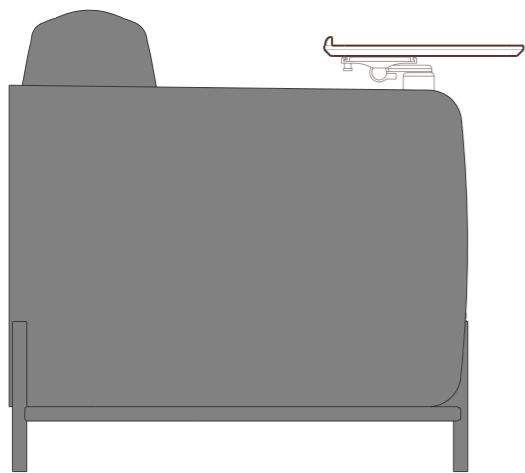
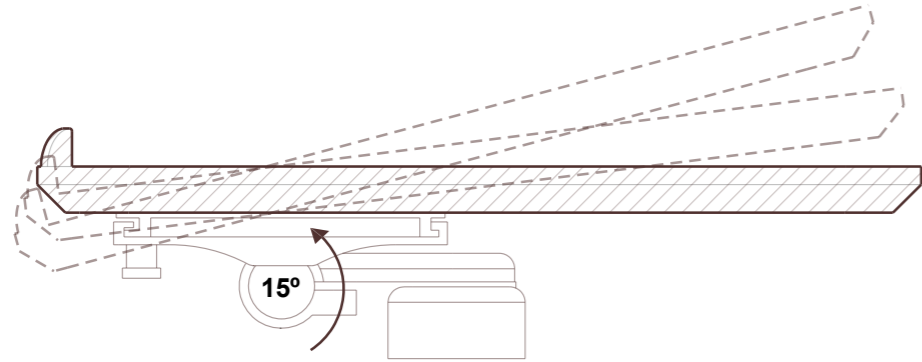


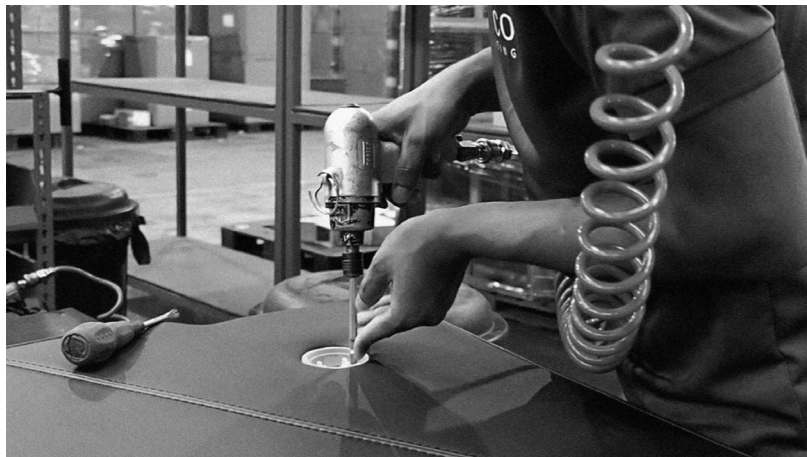
Faux leather and 100% polyester fabric

SWIVEL TABLE



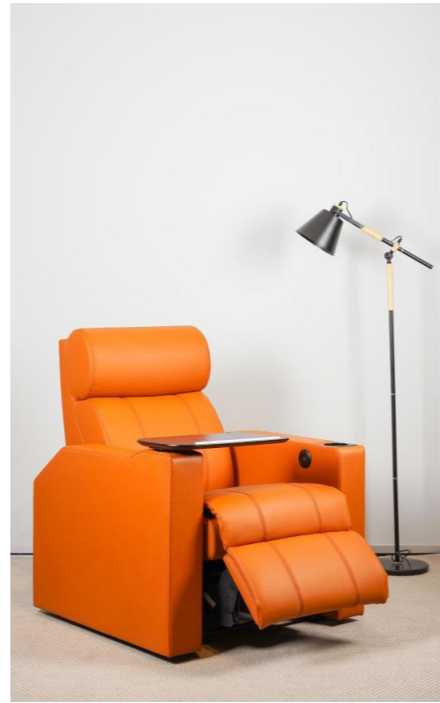
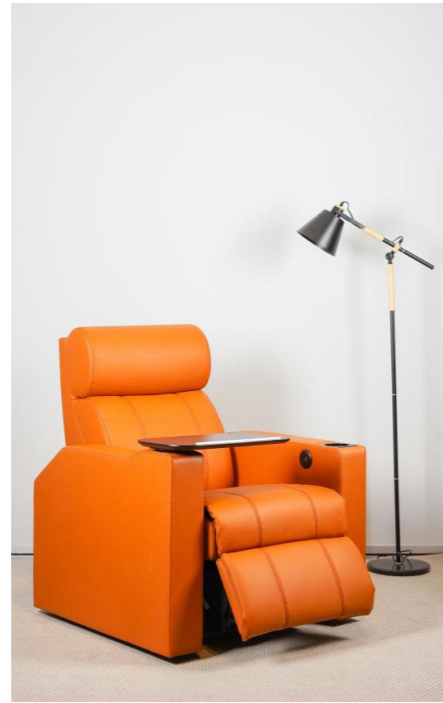
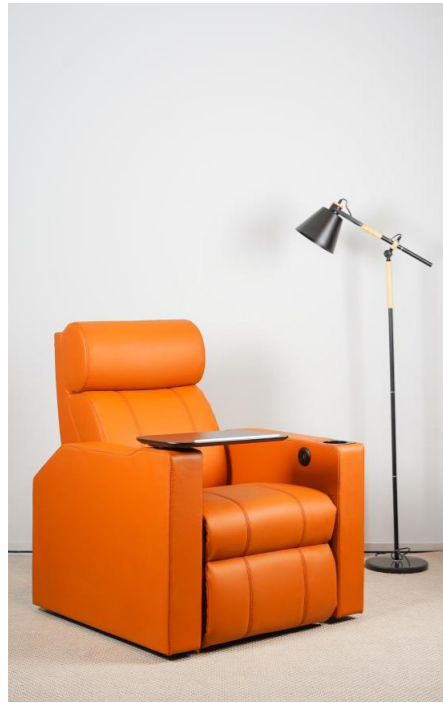
SWIVEL TILTING TABLE





Ferco Seating Systems is the world's largest manufacturer of seating for auditoriums, cinemas, universities and stadiums. The company was founded by **Tim Barr** in **1982**, who is currently the chairman of the holding company.

The group's companies have production facilities in the USA, UK, Vietnam, Japan, Malaysia and Italy. And offices in Tokyo, New York, Barcelona, London, Melbourne, Paris, Beijing, Dubai, Chicago, Kuala Lumpur and Singapore.



www.kplusseating.com

jbadaia@kplusseating.com